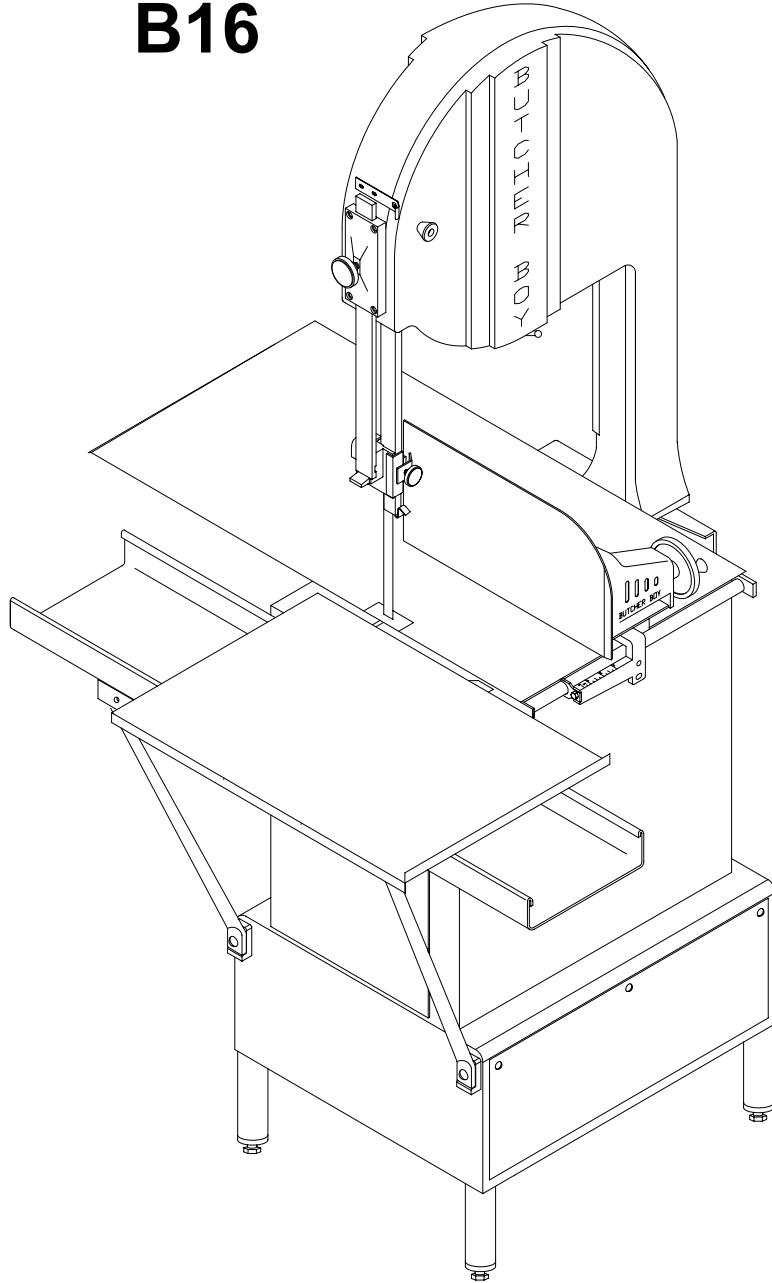


B[®]
U
T
C
H
E
R
B
O
Y

**REPLACEMENT PARTS MANUAL FOR BUTCHER BOY
MODELS B16 S/N 6-3397 TO 6-22546
ELECTRIC MEAT, FISH AND BONE SAWS
(THAT WERE MANUFACTURED BY "LASAR MFG") UNTIL 1988.**

**"AMERICAN MEAT EQUIPMENT CORP." HAS NO CONNECTION TO THE DESIGN,
MANUFACTURING OR SALES OF THESE MACHINES.**

B16



American Meat Equipment Corp.

1625 S. Greenwood Ave.

Montebello, Ca. 90640

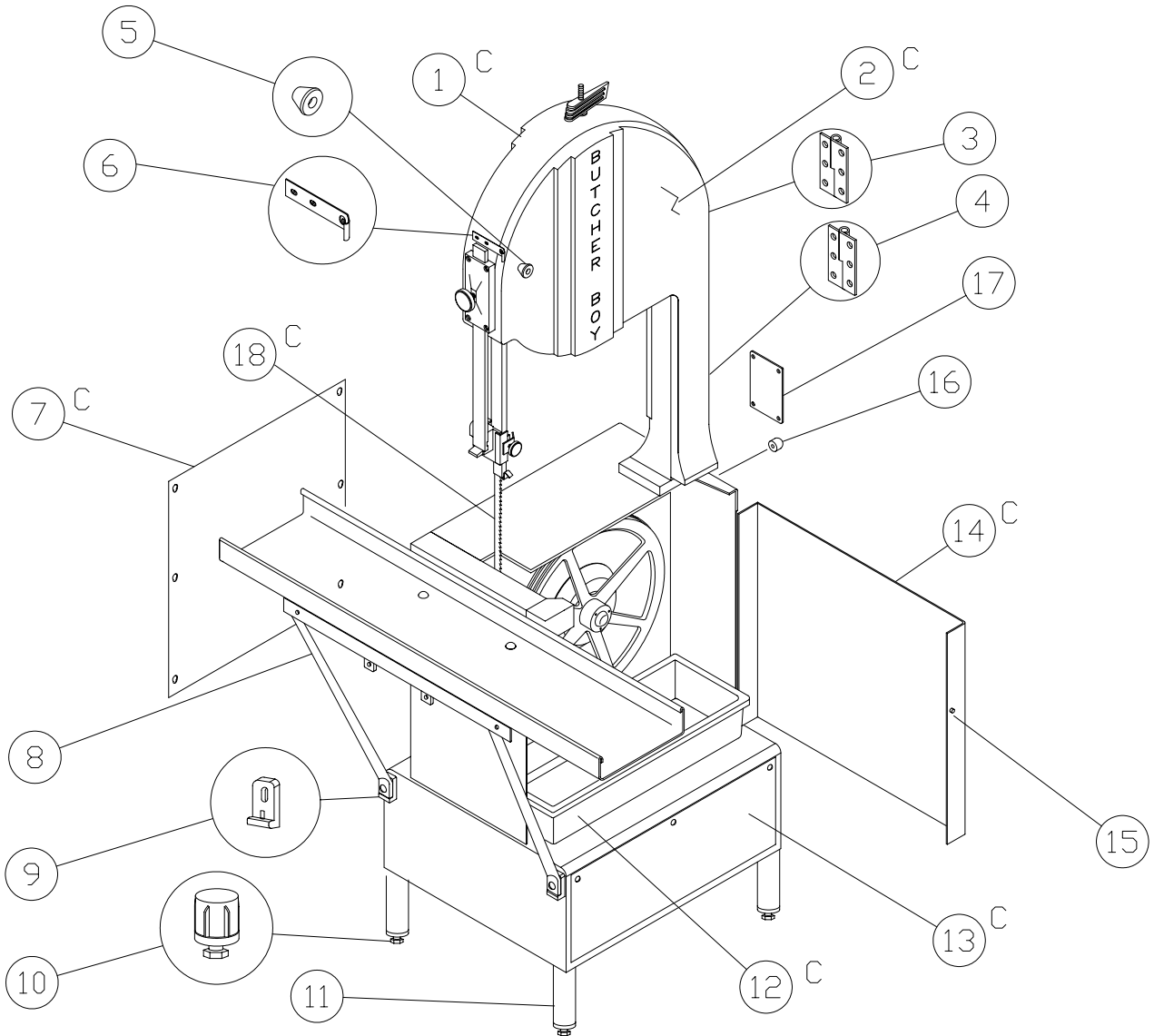
Phone: (323) 724-5348

Fax: (323) 838-4336

BUTCHER BOY B16 BAND SAW

BUTCHER BOY B16 BAND SAWS INDEX	
DESCRIPTION	PAGE #
B16 DOORS, COVERS, AND MISC.	1
B16 UPPER WHEEL ASSEMBLY	2
B16 UPPER WHEEL AND HANGER ASSEMBLY	3
B16 LOWER WHEEL ASSEMBLY	4
B16 FRONT SCRAPER ASSEMBLY	5
B16 REAR BLADE SCRAPER ASSEMBLY	6
B16 UPPER BAR GUIDE ASSEMBLY	7
B16 THICKNESS GAUGE ASSEMBLY	8
B16 TABLES AND SUPPORTS	9
B16 MOTOR AND DRIVE COMPONENTS	10
B16 SPARE PART KITS, FOR STD AND HI SPEED	11
SWITCH INDEX	12
S0 1 STARTER ASSEMBLY AND COMPONENTS	13
S0 2 STARTER ASSEMBLY AND COMPONENTS	14
S0 3 AND SO 4 STANDARD MANUAL SWITCH AND COMPONENTS	15
S0 5 STARTER ASSEMBLY AND COMPONENTS	16
B16 TENSIONING INSTRUCTIONS	17
B16 LUBRICATION INSTRUCTIONS	18

BUTCHER BOY B16 BAND SAW PARTS

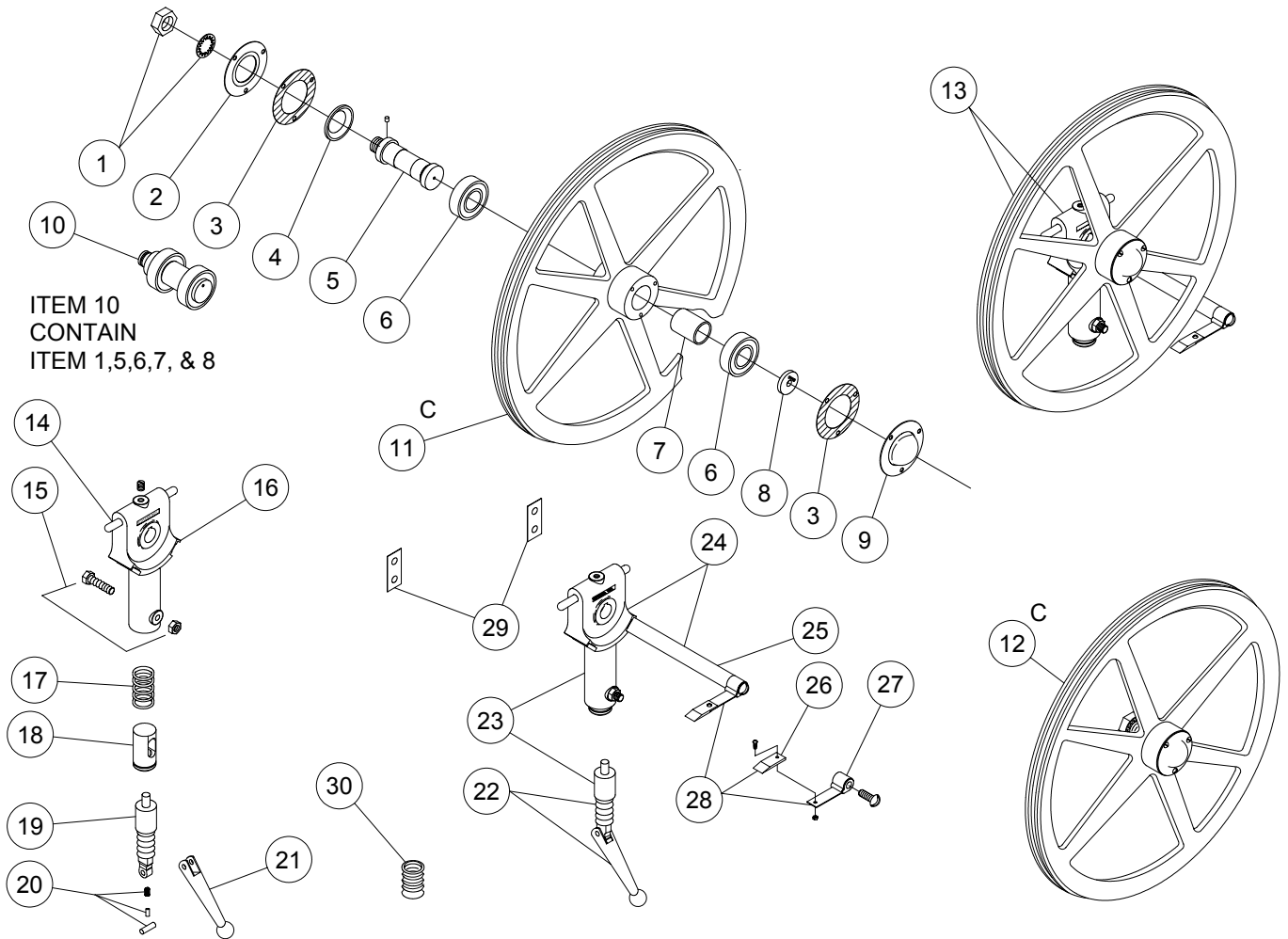


ITEM	PART#	DESCRIPTION	QTY	ITEM	PART#	DESCRIPTION	QTY
*1C		B16 ALUM. HEAD		11	0010370S	S/S LEG & FOOT ASSY	4
*2C		B16 ALUM. DOOR		12C	0016069	B16 BONE BOX	1
3	0010606	UPPER HINGE ASSY	2	13C	0016108	B16 LOWER COVER	2
4	0010607	LOWER HINGE ASSY	2	14C	0016109	B16 S/S BOTTOM DOOR	1
5	0010151	DOOR KNOB	2	15	FHSS-15-04-SS	DOOR STUD	2
6	0010272	DOOR LATCH	2	16	0090601	BUMPER	1
7C	0016106	B-16 REAR COVER	1	17	0010198	COVER	1
8	0010014S	SS BRACE	2	18C-E	0090853-E	B16 STD BLADE ECONOMY	6
9	0010260	BRACE ADJ. BRACKET	2	18C-H	0090853-H	B16 STD BLADE HARD TOOTH	6
10	0059390	FOOT ASSY	4				

*** NOTES: IT MAY BE POSSIBLE THAT THIS PART CAN BE REPAIRED IF SHIPPED TO AMERICAN MEAT EQUIPMENT CORP. (CALL BEFORE SHIPPING) 323-724-5348**

BUTCHER BOY B16 UPPER WHEEL ASSEMBLY

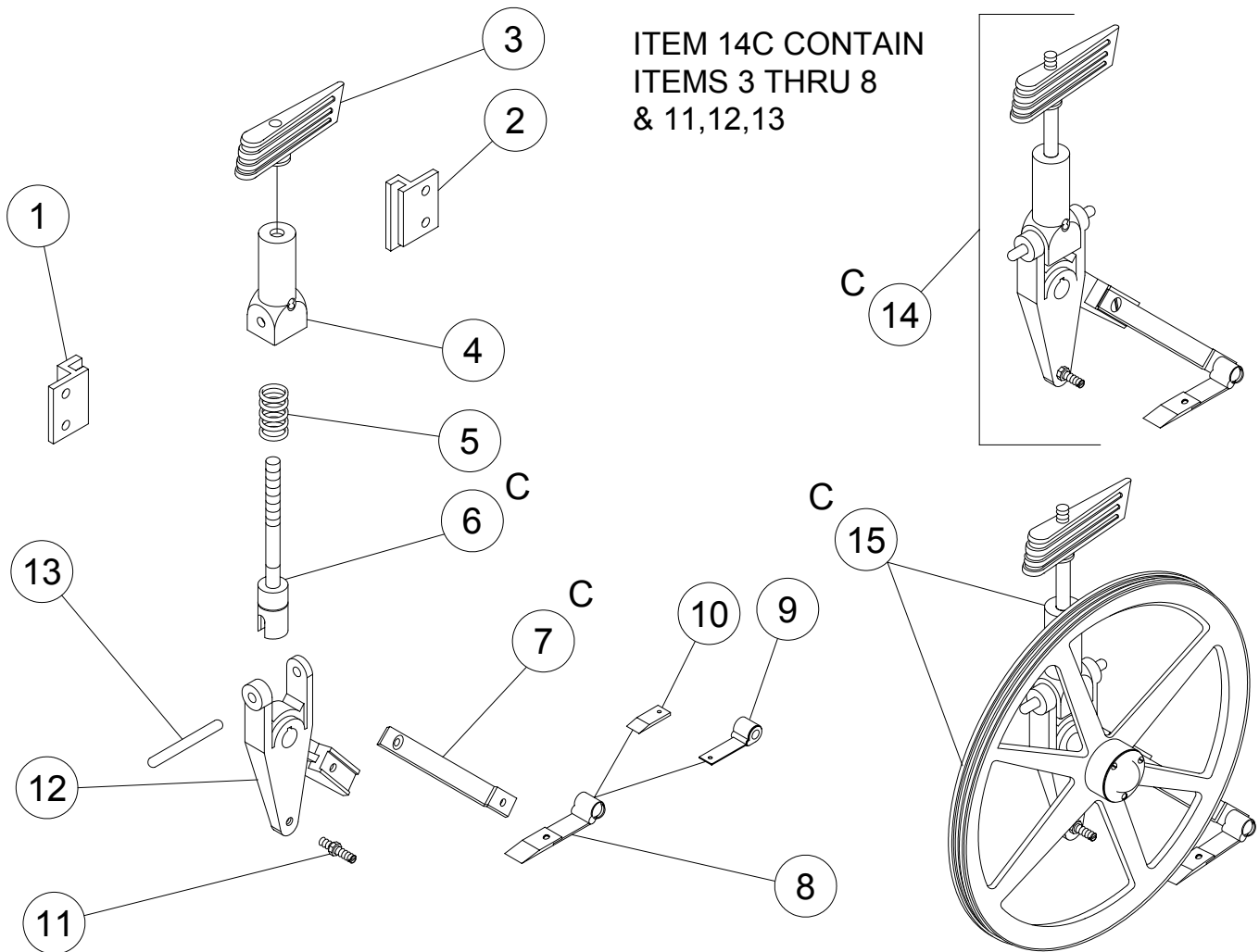
B16 RIGHT HAND UPPER WHEEL & NEW STYLE HANGER ASSEMBLY



ITEM	PART#	DESCRIPTION	QTY	ITEM	PART#	DESCRIPTION	QTY.
1	0010770	NUT & WASHER-WHEEL SHAFT	1	16	0010730	UPPER HANGER	1
2	0010030	BEARING RETAINER	1	17	0010082	TENSION SPRING	1
3	0010127	GASKET	2	18	0010056	INDICATOR	1
4	0090400	RUBBER SEAL	1	19	0010033S	ADJUSTING SCREW	1
5	0010018	UPPER SHAFT W/NUT & WASHER	1	20	0016093	PINS & SPRING ASSY	1
6	0090302	BEARING-UPPER SHAFT	2	21	0016090	TENSION HANDLE	1
7	0010258	SPACER-BEARINGS	1	22	0016089S	TENSION HANDLE ASSY	1
8	0010121S	RETAINER & SCREW ASSEMBLY	1	23	0016029-B	BLADE TENSION ASSY	1
9	0010031	HUB CAP	1	24	0016059-B	HANGER & ARM ASSY	1
10	0010574	UPPER SHAFT & BEARING ASSY	1	25	0016511	SCRAPER ARM	1
11C	0016040	B16 UPPER WHEEL	1	26	0010040	FIBER SCRAPER	1
12C	0016038	B16 UPPER WHEEL & SHAFT ASSY	1	27	0010277	SCRAPER SPRING	1
13	0016205-B	B16 UPPER WHEEL & HANGER ASSY	1	28	0010377	WHEEL SCRAPER ASSY	1
14	0016034	GUIDE PIN TENSION GAUGE	1	29	0016092	SLIDE PLATE	2
15	0016022S	ADJUSTING SCREW & NUT	1	30	0010034	THREADED INSERT	1

BUTCHER BOY B16 BAND SAW

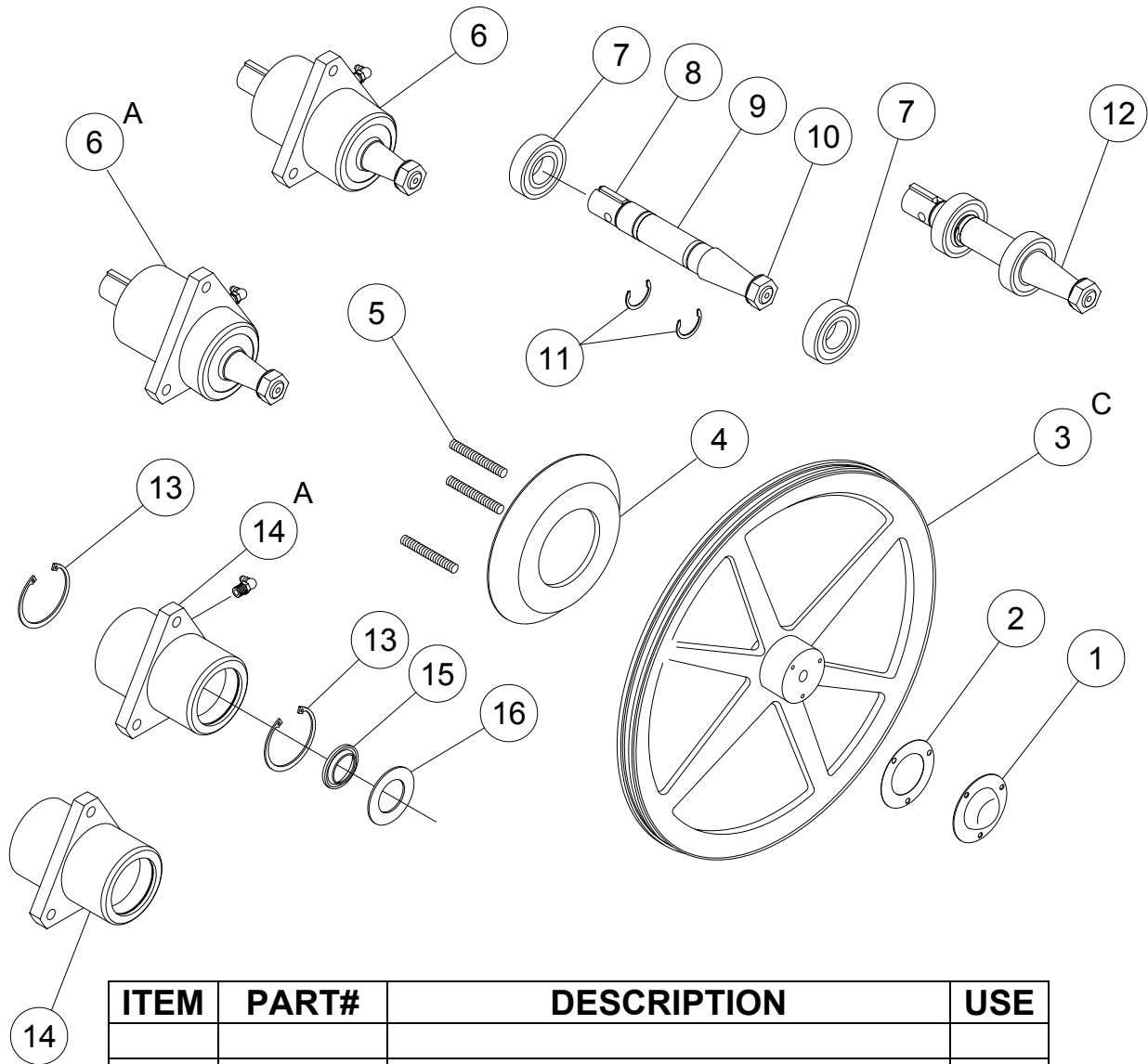
B16 O/S RIGHT HAND UPPER WHEEL & O/S HANGER ASSEMBLY



ITEM 14C CONTAIN
ITEMS 3 THRU 8
& 11,12,13

ITEM	PART#	DESCRIPTION	USE
1	0010282	GUIDE BLOCK	1
2	0010283	GUIDE BLOCK	1
3	0010141	TENSION HANDLE	1
4	0010278	GAUGE HOUSING	1
5	0010082	TENSION SPRING	1
6C	0016044S	ROD AND INDICATOR – B16 O/S	1
7C	0016043S	SCRAPER ARM – B16 O/S	1
8	0010377	SCRAPER SPRING ASSY	1
9	0010277	SCRAPER SPRING	1
10	0010040	FIBER SCRAPER	1
11	0010216	ADJ. SCREW B16 O/S	1
12	0010280	WHEEL HANGER B16 O/S	1
13	0010120	TENSION GAUGE PIN B16 O/S	1
14C	0016042	BLADE TENSION ASSY – B16 O/S	1
15C	0016203	UPPER WHEEL & HANGER ASSY – B16 O/S	1

BUTCHER BOY B16 RH LOWER WHEEL ASSEMBLY

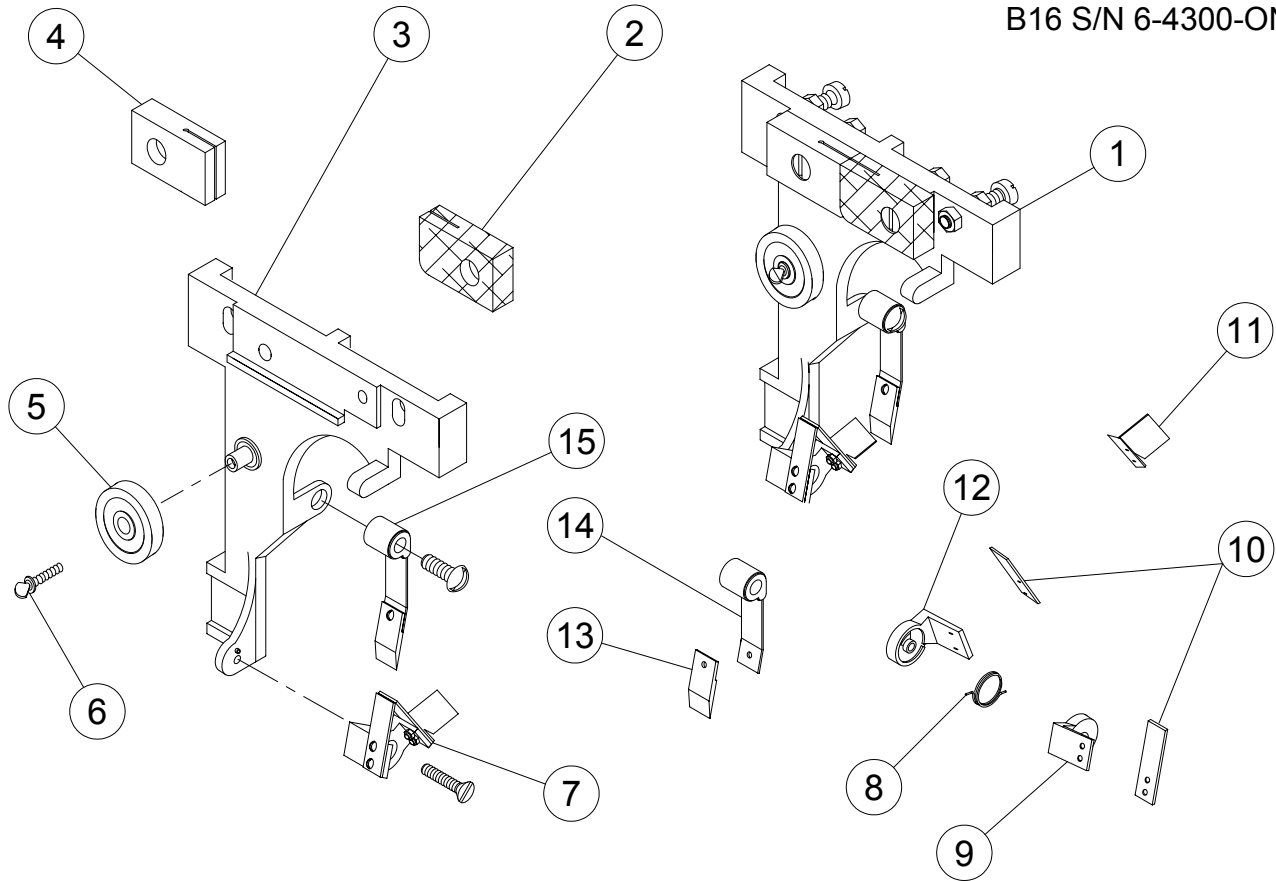


ITEM	PART#	DESCRIPTION	USE
1	0010031	HUB CAP	1
2	0010127	GASKET	1
3C	0016041	LOWER WHEEL - B16 RH	1
4	0010077	BEARING HOUSING SUPPORT	1
5	0010078	STUD	3
6	0010087	LOWER SHAFT & HOUSING ASSY O/S	1
6A	0010025	LOWER SHAFT & HOUSING ASSY	*
7	0090300	BEARING	2
8	0059247-8	KEY SHAFT	1
9	0010023	SHAFT ASSY W/ WASHER & NUT	1
10	0010770	NUT & WASHER FOR SHAFT	1
11	0090201	RETAINING RING (SMALL)	2
12	0010575	LOWER SHAFT & BEARING ASSY	1
13	0090200	RETAINING RING (LARGE)	2
14	0010088	BEARING HOUSING O/S	2
14A	0010024	BEARING HOUSING	*
15	0090400	RUBBER SEAL	1
16	0010029	SPECIAL WASHER	1

BUTCHER BOY B16 FRONT SCRAPER ASSEMBLY

NEW STYLE

B16 S/N 6-4300-ON

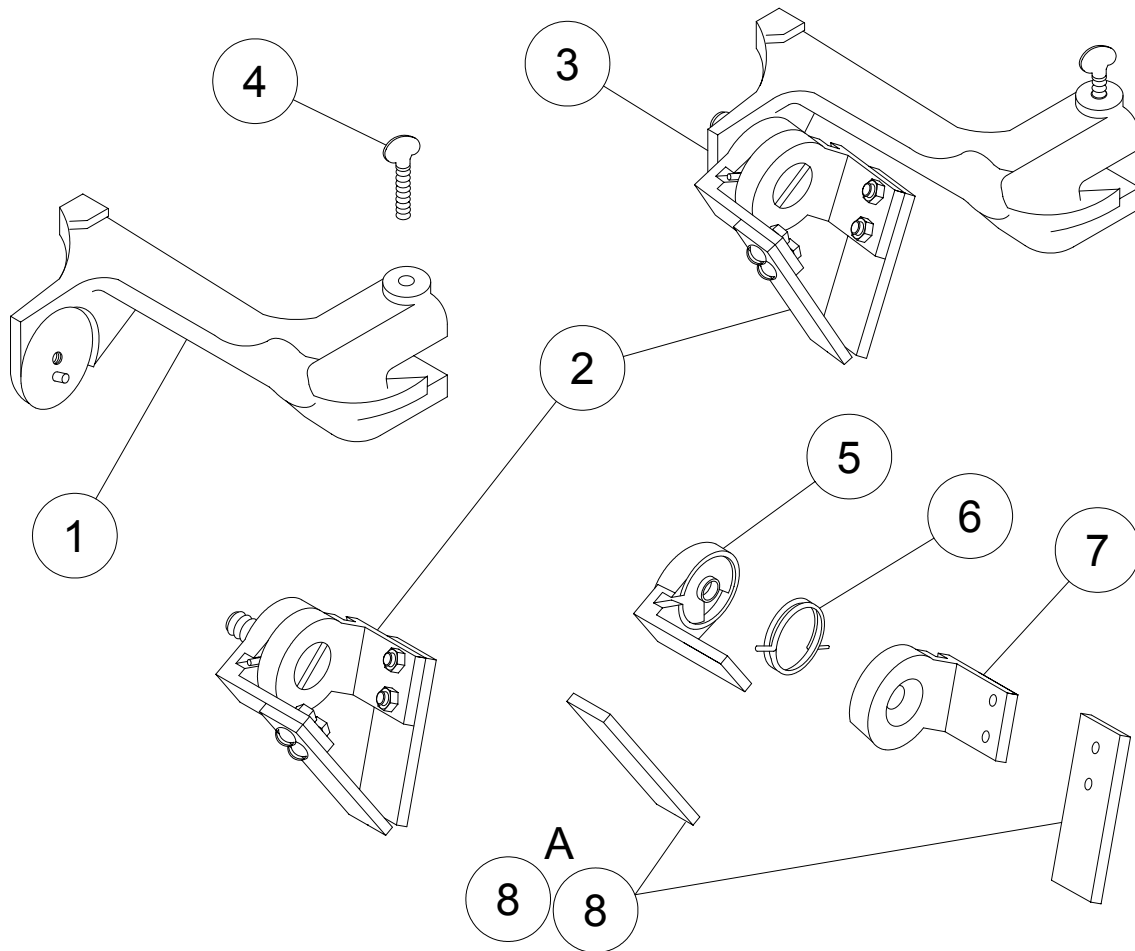


ITEM	PART#	DESCRIPTION	USE
1	0010304	FRONT SCRAPER ASSEMBLY	1
2	0010000	FIBER BLADE BLOCK	1
	0010000P	PLASTIC BLADE BLOCK	1
3	0010305	SCRAPER & ROLLER MOUNT	1
4	0010002	LOWER BLADE GUIDE STD. (.30)	1
	0020785	LOWER CARD. BLADE GUIDE HS (.30)	*
	0010597	LOWER BLADE GUIDE (.018)	*
	0020786	LOWER CARD. BLADE GUIDE HS (.018)	*
5	0090301	BALL BEARING	1
6	0010369	THUMB SCREW	1
7	0010464	BLADE SCRAPER ASSEMBLY	1
8	0010199	SPRING	1
9	0010302	SCRAPER HOLDER	1
10	0010310	SCRAPER STAINLESS STEEL	2
11	0010197	DEFLECTOR	1
12	0010301	SCRAPER HOLDER	1
13	0010040	WHEEL FIBER SCRAPER	1
14	0010277	SCRAPER SPRING	1
15	0010377	SPRING & SCRAPER ASSEMBLY	1

BUTCHER BOY B16 RH BAND SAW

REAR BLADE SCRAPER

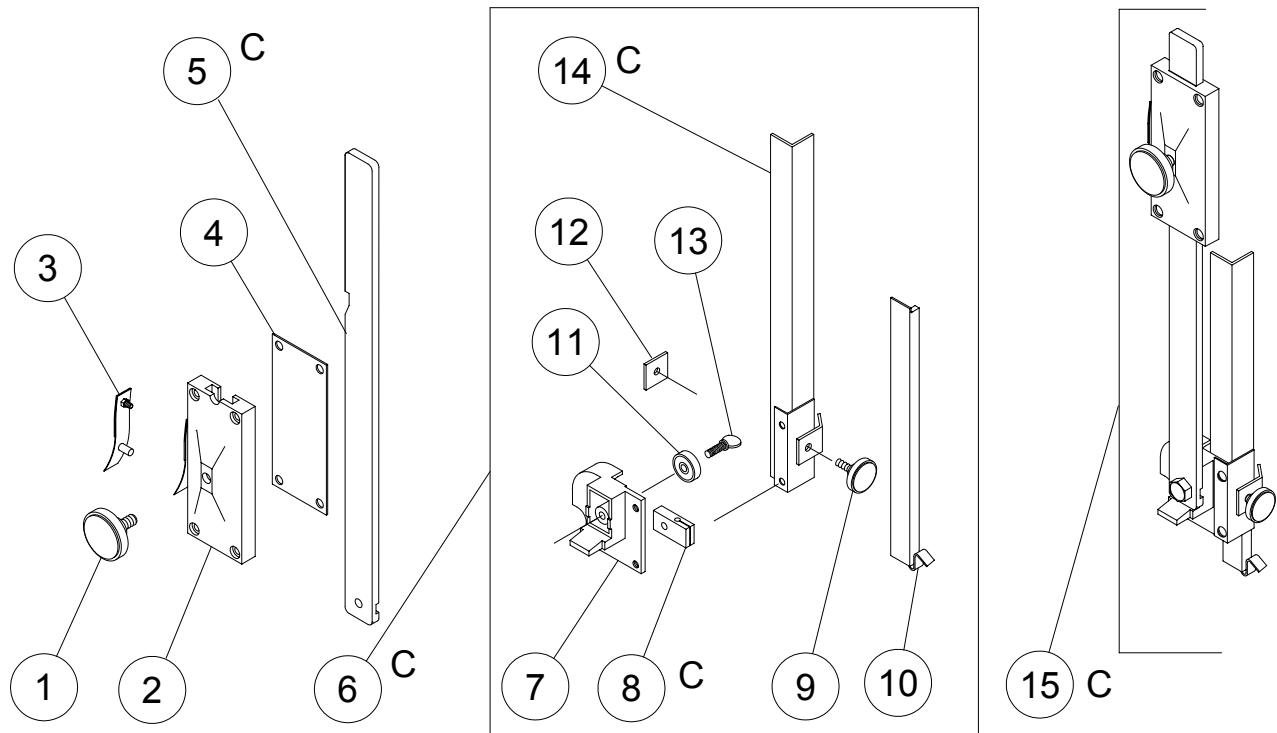
NEW STYLE
B16 S/N 6-4300-ON



ITEM	PART#	DESCRIPTION	USE
1	0010246	SCRAPER MOUNT	1
2	0010460	BLADE FIBER SCRAPER ASSEMBLY	1
2A	0010464	BLADE S/S SCRAPER ASSEMBLY	1
3	0010298	REAR SCRAPER ASSEMBLY	1
4	0010303	THUMB SCREW	1
5	0010302	SCRAPER HOLD	1
6	0010199	SPRING	1
7	0010301	SCRAPER HOLDER	1
8	0010300	FIBER SCRAPER	2
8A	0010310	S/S SCRAPER	2

BUTCHER BOY B16 RH BAND SAW

BAR GUIDE ASSEMBLY

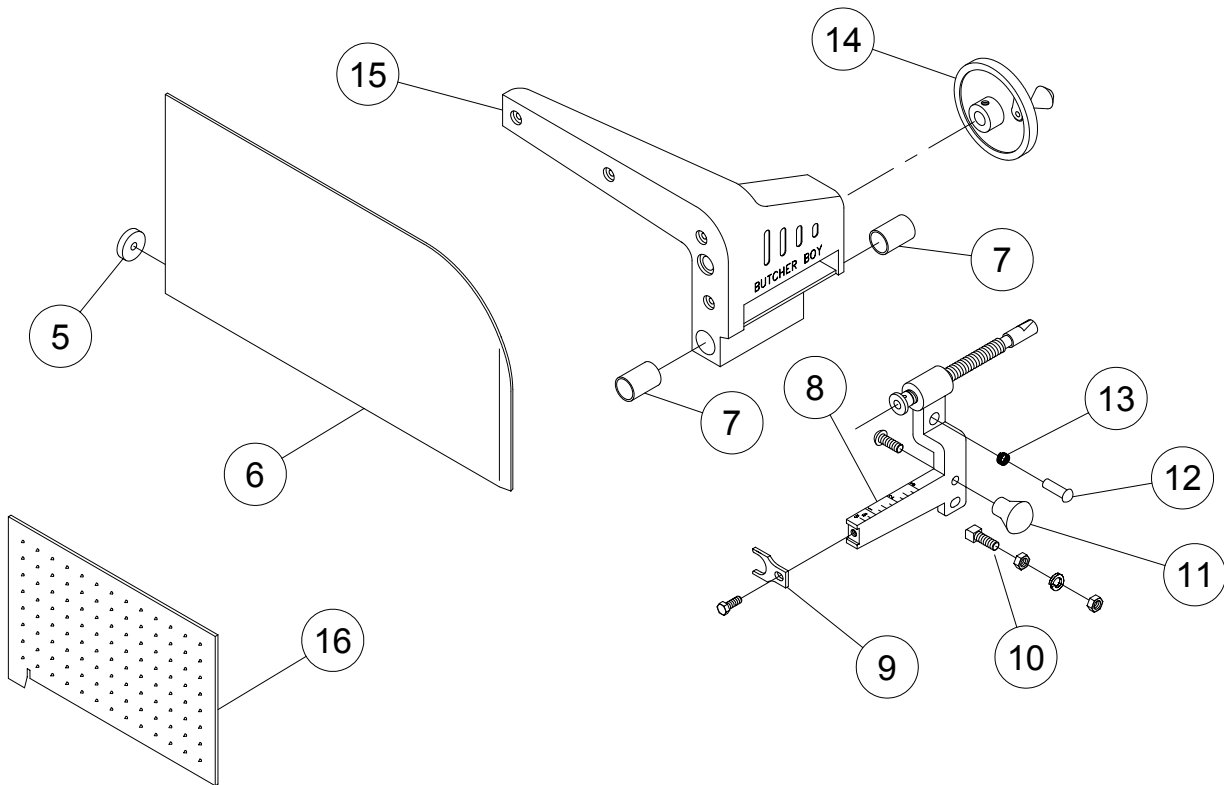
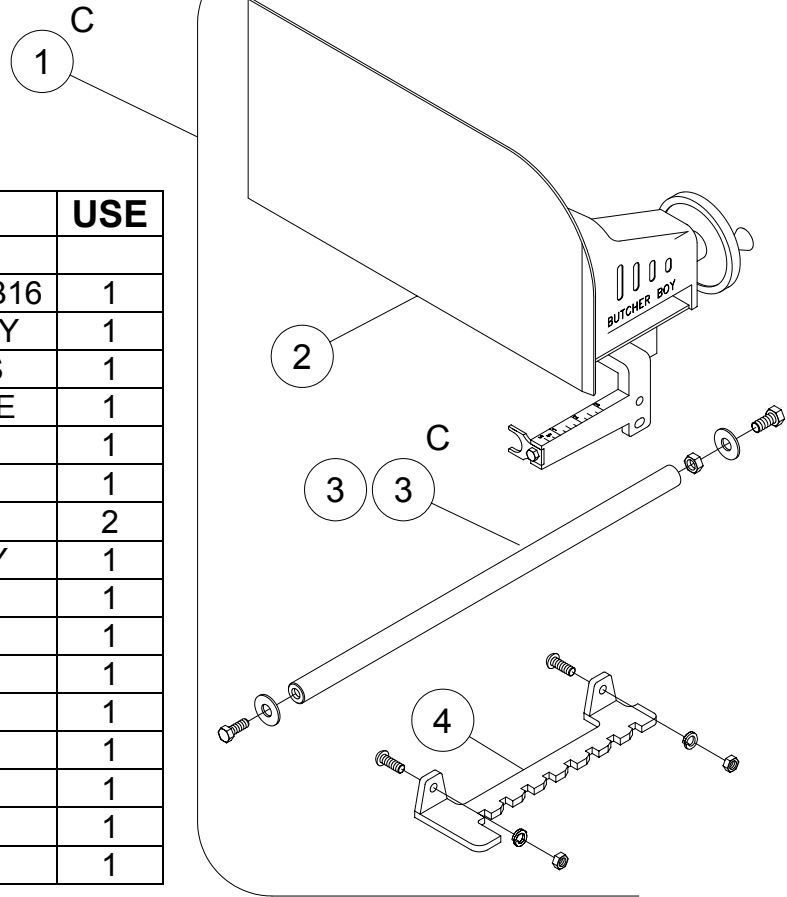


ITEM	PART#	DESCRIPTION	USE
1	0090600	KNOB	1
2	0010266	ADJUSTABLE BAR GUIDE	1
3	0010273	BAR RELEASE	1
4	0010373	GASKET ADJUSTING BAR GUIDE	1
5C	0016048S	ADJUSTABLE BAR B16	1
6C	0010717	BLADE GUARD ASSEMBLY B16	1
7	0010270	ADJUSTING BLADE GUIDE & ROLLERASSEMBLY	1
8A	0010074	UPPER BLADE GUIDE (.030) BLADE	1
8B	0010356	UPPER BLADE GUIDE (.018) CARBIDE	1
8C	0010353	UPPER BLADE GUIDE (.030) CARBIDE	1
8D	0010079	UPPER BLADE GUIDE (.018)	1
9	0095084	KNOB	1
10	0010712	GUARD EXTENSION B16 RH	1
11	0090301	BACK UP BEARING	1
12	0010714	EXTENESION STOP B16 RH	1
13	0010369	THUMB SCREW	1
14C	0016030	BLADE GUARD B16 RH	1
15C	010372S	BAR GUIDE ASSEMBLY B16 RH	1

BUTCHER BOY B16 RH BAND SAW PARTS

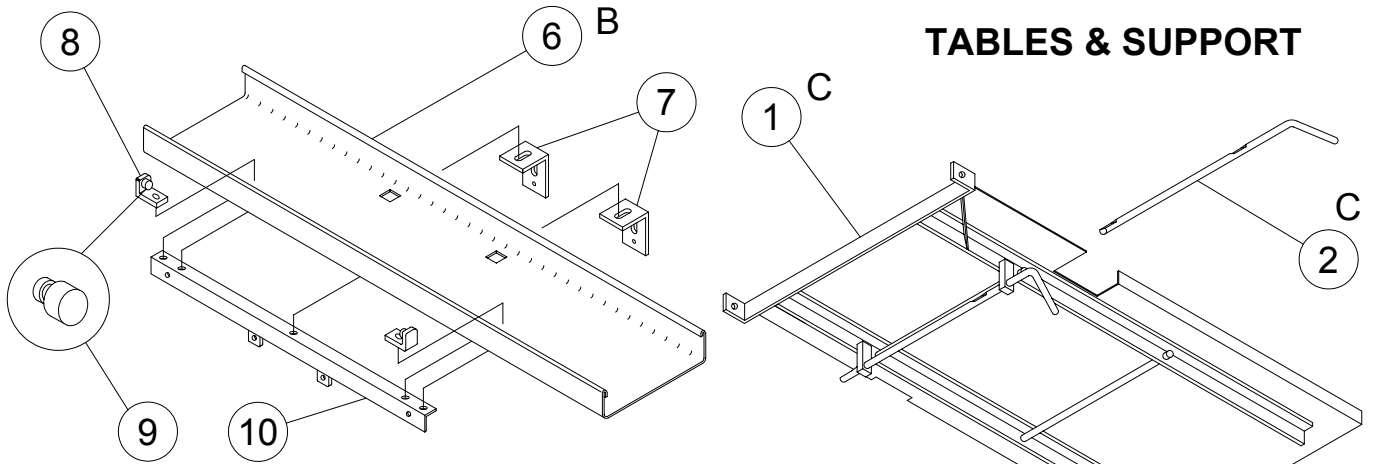
THICKNESS GAUGE ASSEMBLY

ITEM	PART#	DESCRIPTION	USE
1	0016072	THICK GA. W/RATCHET & ROD B16	1
2	0010316	THICKNESS GAUGE ASSEMBLY	1
3C	0016541	GA. SLIDE ROD W/HD B16 S/S	1
4	0010180	RATCHET LOCK W/HARDWARE	1
5	0010297	ROLLER	1
6	0010250	GAUGE PLATE	1
7	0090700	BUSHING	2
8	0010284	GAUGE SPINDLE & ARM ASSY	1
9	0010313	GAUGE ARM SUPPORT	1
10	0010782S	LOCK PIN W/WASHER & NUT	1
11	0010315	KNOB	1
12	0010211	PIN	1
13	0010314	SPRING	1
14	0010287S	HAND WHEEL	1
15	0010291	HOUSING	1
16	0010208	RH SHORT CUT PLATE	1

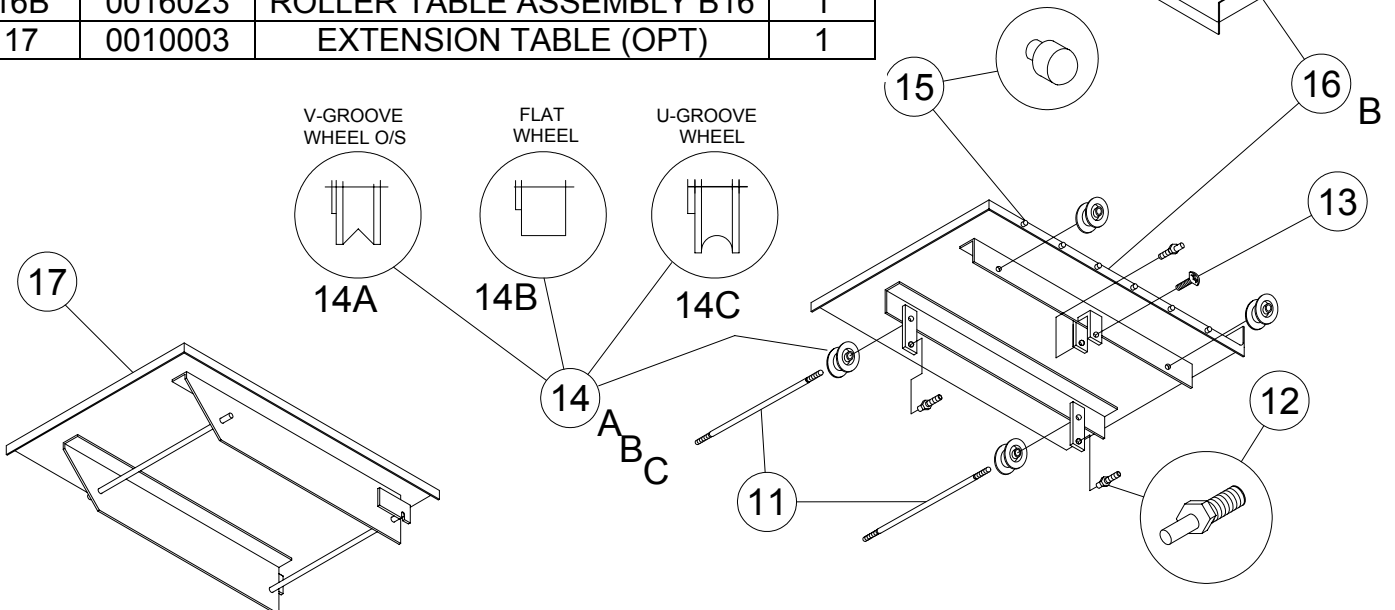
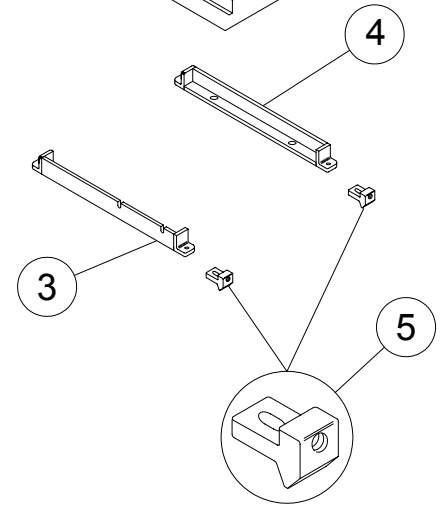


BUTCHER BOY B16 RH BAND SAW PARTS

TABLES & SUPPORT

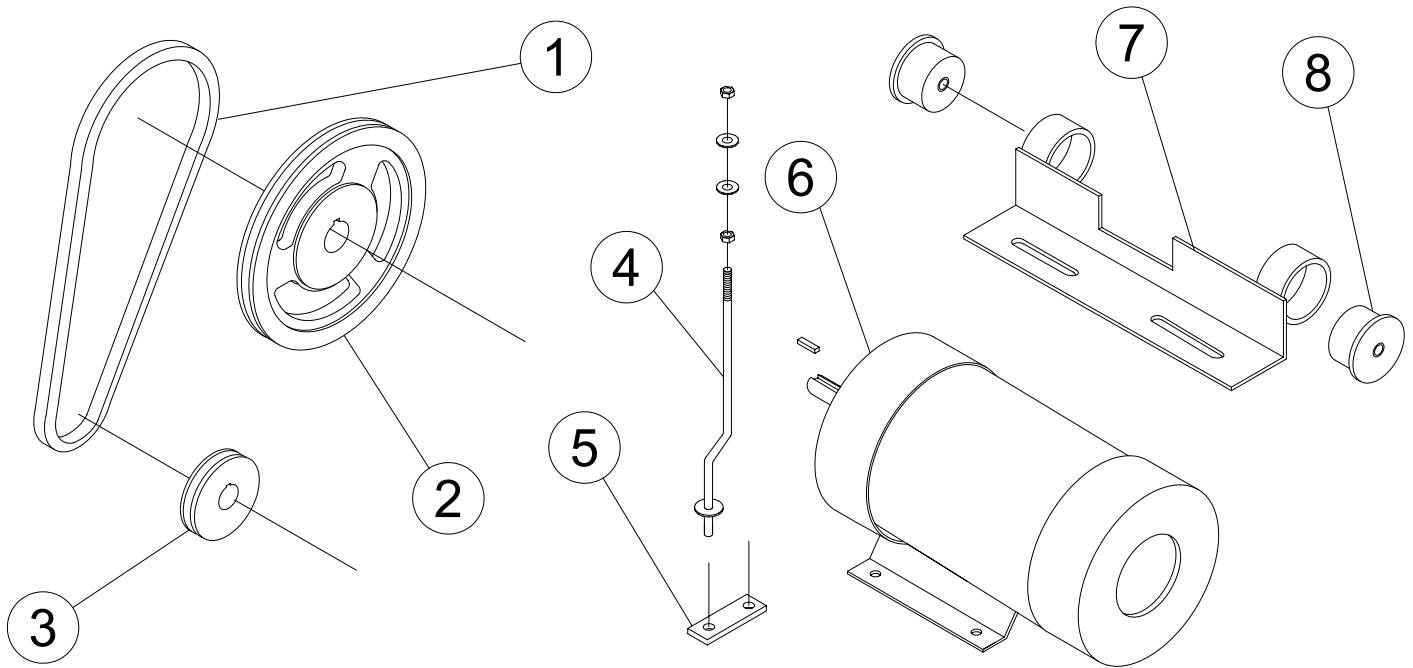


ITEM	PART#	DESCRIPTION	USE
1C	0016050S	STATIONARY TABLE ASSY B16	1
2C	0016060S	TABLE LOCK LEVER B16	1
3	0010331S	FRONT TABLE SUPPORT	1
4	0010332S	REAR TABLE SUPPORT	1
5	0010293	LEVER ADJUSTING LOCK	2
6B	0016120S	TABLE TRACK B16	1
7	0010126S	TABLE TRACK SUPPORT	2
8	0010037	STOP BRACKET ASSEMBLY	2
9	0090612	RUBBER STOP	2
10	0010294S	ANGLE SUPPORT ASSEMBLY	1
11	0010329	TABLE WHEEL AXLE	2
12	0010098	TABLE HOLDING PIN	3
13	0010303	THUMB SCREW	1
14A	0010064	V-GROOVE WHEEL	4
14B	0010065	FLAT WHEEL	4
14C	0010068	U-GROOVE WHEEL	4
15	0010016	TABLE BUTTON	6
16B	0016023	ROLLER TABLE ASSEMBLY B16	1
17	0010003	EXTENSION TABLE (OPT)	1



BUTCHER BOY B16 RH BAND SAW

MOTOR & DRIVE COMPONENTS

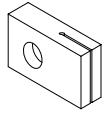


ITEM	PART#	DESCRIPTION	QTY
		BELTS B16	
1	0090501	1 PH S/N PRIOR TO 6-13894	1
	0090501	3 PH S/N PRIOR TO 6-14699	1
	0090518	1 PH S/N 6-13895 - 15746	1
	0090518	3 PH S/N 6-14699 TO 6-15746	1
	0090520	3 PH S/N 6-15747 TO 6-23000	1
		DRIVEN PULLEY B16	
2	0010489	S/N PRIOR TO 6-14699	1
	0090199-001	1 PH S/N 6-13895 TO 6-15746	1
	0090199-001	3 PH S/N 6-14699 TO 6-15746	1
	0010488	S/N 6-15748 TO 6-23000	1
		DRIVEN PULLEY (MOTOR) B16	
3	0010486	S/N PRIOR TO 6-14699	1
	0090199-009	(7/8 BORE) S/N 6-14700 TO 6-15747	1
	0090199-098	(1-1/8 BORE) S/N 6-14700 TO 6-15747	1
	0010485	(7/8 BORE) S/N 6-15748 TO 6-23000	1
	0090186	(1-1/8 BORE) S/N 6-15748 TO 6-23000	1
4	0010384S	S/S TORQUE ROD ASSEMBLY / HARDWARE	1
5	0010430S	S/S TORQUE BRACKET	1
6	AS REQ.	MOTOR	1
7	0010344S	S/S MOTOR MOUNT ASSEMBLY	1
8	0010118	RUBBER MOUNT ASSEMBLY	2

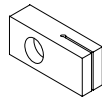
BUTCHER BOY B16 RH BAND SAW

B16 SAW STD SPEED SPARE PART KIT-.022-.025 BLADE

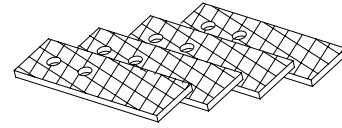
0010605 WITH FIBER 0010000
0010605P WITH PLASTIC 0010000P



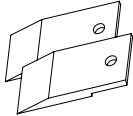
LOWER BLADE GUIDE
PART# 0010002
(1 PC)



UPPER BLADE GUIDE
PART# 0010074
(1 PC)



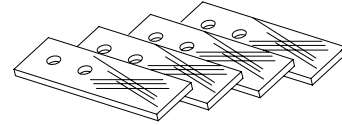
FIBBER BLADE SCRAPERS
PART# 0010300 (4 PCS)



WHEEL FIBBER SCRAPER
PART# 0010040 (2 PCS)



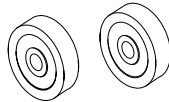
RUBBER BUMPERS
PART# 0090612 (2 PCS)



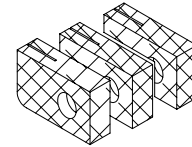
STAINLESS STEEL
BLADE SCRAPERS
PART# 0010310 (4 PCS)



BACK UP BEARING
THUMB SCREW
PART# 0010369S (2 PCS)



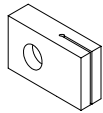
BACK UP BEARING
PART# 0090301
(2 PCS)



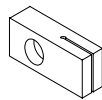
PLASTIC BLADE BLOCK
PART# 0010000P (3 PCS)

B16 SAW HI SPEED SPARE KIT-.014-.018 BLADE

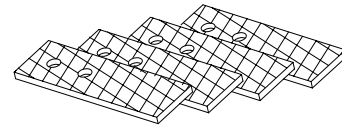
0010940 WITH FIBER 0010000
0010940P WITH PLASTIC 0010000P



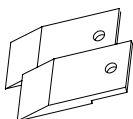
LOWER BLADE GUIDE
WITH CARBOLITE PIN
PART# 0020786
(1 PC)



UPPER BLADE GUIDE
WITH CARBOLITE PIN
PART# 0010356
(1 PC)



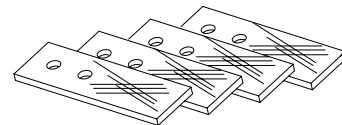
FIBBER BLADE SCRAPERS
PART# 0010300 (4 PCS)



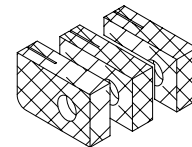
WHEEL FIBBER SCRAPER
PART# 0010040 (2 PCS)



RUBBER BUMPERS
PART# 0090612 (2 PCS)



STAINLESS STEEL
BLADE SCRAPERS
PART# 0010310 (4 PCS)

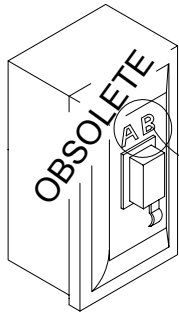


PLASTIC BLADE BLOCK
PART# 0010000P (3 PCS)

BUTCHER BOY B16 RH BAND SAW

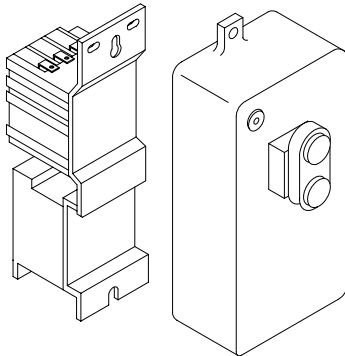
BUTCHER BOY B16 BAND SAW
SWITCHES

SWITCHES



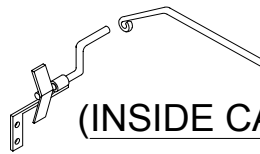
AB

B16 BEFORE S/N 6-11200



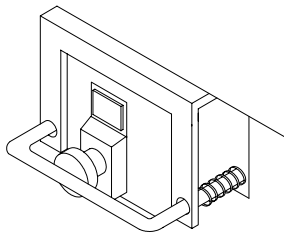
S01 P15

DEFINITE PURPOSE STARTER (MAG.) ASSY



(INSIDE CABINET IN REAR)

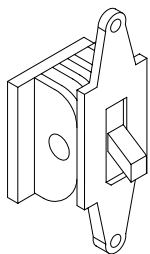
B16 S/N 6-11200 TO S/N 6-20239



S02 P16

DEFINITE PURPOSE STARTER (MAG.) ASSY
(ON FRONT OF MACHINE)

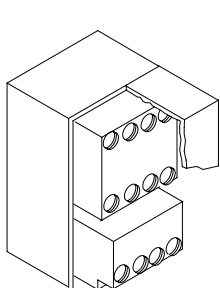
B16 S/N 6-14200 TO S/N 6-21890



S03 & S04
P17

STANDARD SINGLE PHASE AND THREE PHASE
MANUAL STARTER (TOGGLE) (INSIDE CABINET)

B16 S/N 6-8097 TO S/N 6-22900



S05

P18

DEFINITE PURPOSE STARTER (MAG.) ASSY
(INSIDE CABINET)

B16 S/N 6-21891 TO S/N 6-22900

BUTCHER BOY B16 RH BAND SAW

**B16 DEFINITE PURPOSE STARTER (MAG.) ASSEMBLY
(INSIDE CABINET IN REAR)**

B16 S/N 6-11200 TO S/N 6-20239

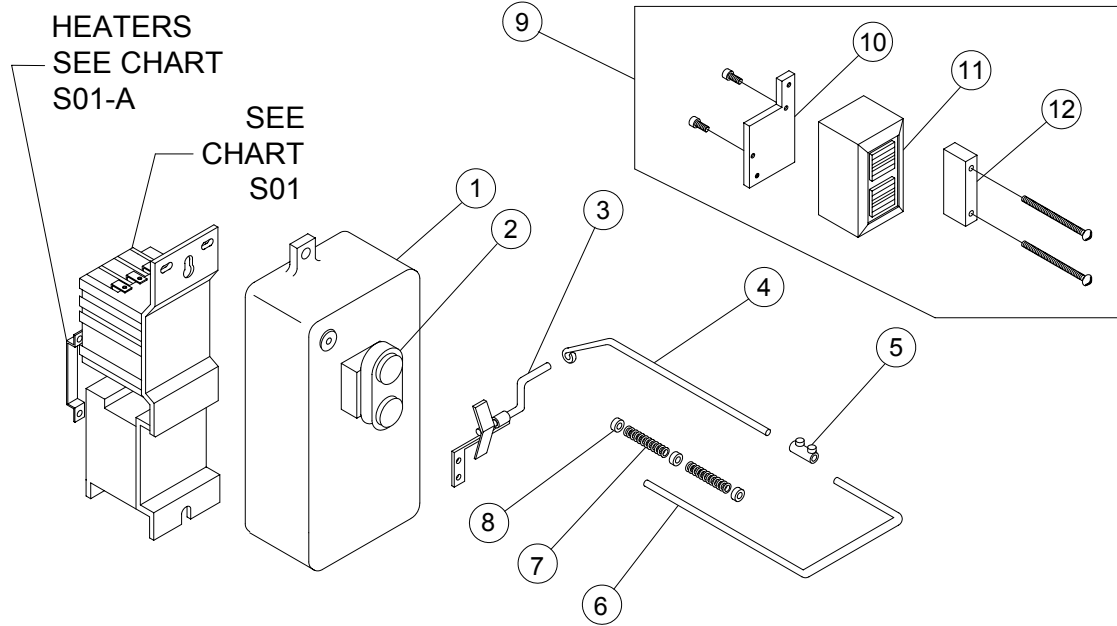


CHART S01							HEATER		
VOLTAGE / AMPS							SWITCH PART #	(2) 1PH H#	(3) 3PH PART#
	PH	5.75	460	230	208	115			
1 1/2 HP	3	1.9					0093033	E29	0093525
	3		2.6				0093008	E34	0093521
	3			5.2			0093007	E44	0093531
	3				5.8		0093007	E46	0093532
	1			10.			0093006	E51	0093536
	1					11.0	0093006	E52	0093541
	1						20.0	0093055	E61
2 HP	3	2.7					0093033	E34	0093521
	3		3.4				0093008	E38	0093528
	3			6.8			0093007	E48	0093534
	3				7.6		0093007	E50	0093556
	1			12.0			0093006	E53	0093537
	1					13.0	0093006	E54	0093538
	1						24.0	0093055	E62
3 HP	3	3.9					0093033	E39	0093554
	3		4.5				0093008	E42	0093530
	3			9.0			0093007	E52	0093541
	3				10.0		0093007	E53	0093537
	1			16.0			0093006	E57	0093539
	1					18.0	0093006	E60	0093542
	1						32.0	0093055	E67

ITEM#	PART#	DESCRIPTION	QTY.	ITEM#	PART#	DESCRIPTION	QTY.
1	0010192	SWITCH BOX	1	7	0010336S	S/S SPRING	2
2	NOT AVAILABLE SEE ITEM 9 FOR REPLACEMENT			8	0090606S	S/S COLLAR	3
3	0010610S	S/S ROCKER	1	9	0059370-BSAW	REPLACEMENT KIT FOR 0059370	1
4	0016125S	S/S ROD B16	1	10	0010930	MOUNTING PL	1
5	0010212S	S/S COUPLING	1	11	0093999-136	P/B SWITCH	1
6	0010244S	S/S HANDLE	1	12	0010931	SPACER	1

BUTCHER BOY B16 RH BAND SAW PARTS

B16 DEFINITE PURPOSE START (MAG.) ASSEMBLY (ON FRONT OF SAW)

B16 S/N 6-14200 TO S/N 6-21890

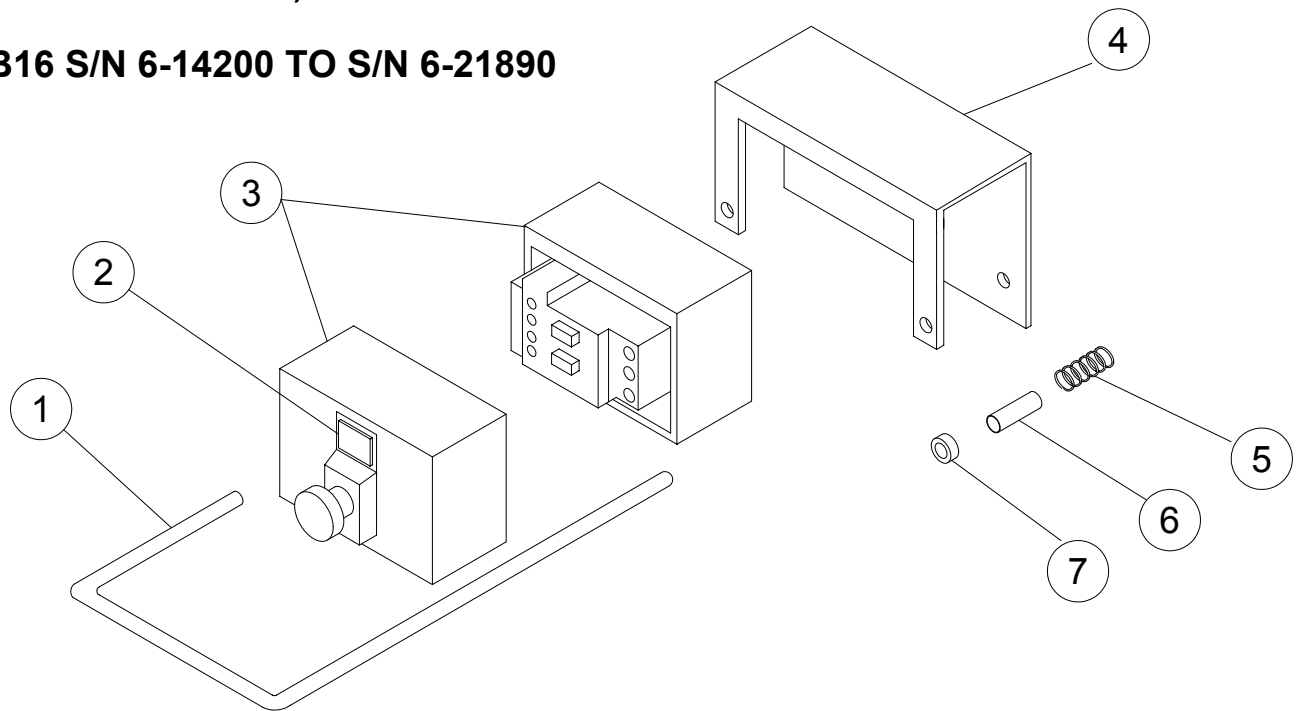
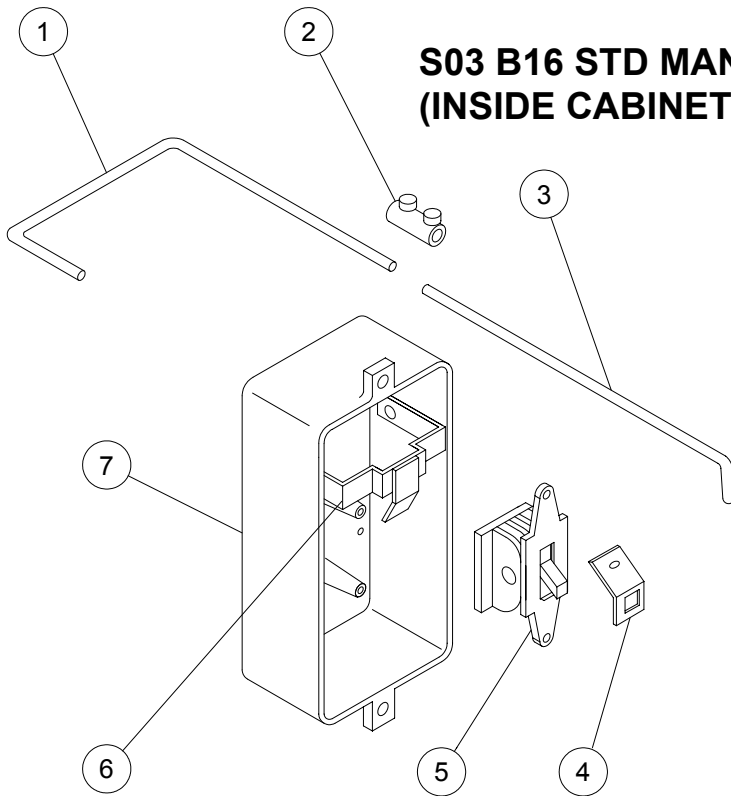


CHART S02							
		VOLTAGE / AMPS					STARTER IN ENCLOSURE
	PH	575	460	230	205	115	
2 HP	3	2.7					0093927
	3		3.4				0093930
	3			6.8			0093934
	3				7.6		0093934
	1			12.0			0093935
	1					13.0	0093935
	1						24.0
3 HP	3	3.9					0093927
	3		4.5				0093931
	3			9.0			0093934
	3				10.0		0093934
	1			16.0			0093936
	1					18.0	0093936

ITEM#	PART#	DESCRIPTION	QTY.
1	0010846	S/S STOP BAR	1
2	*0093999-094	SEAL KIT	1
3	SEE CHART S02	CONTACTOR & ENCLOSURE	1
4	0010850S	S/S FRONT BRACKET	1
5	0010802	S/S SPRING	1
6	0010803	S/S TUBING	1
7	0090606S	S/S COLLAR	1

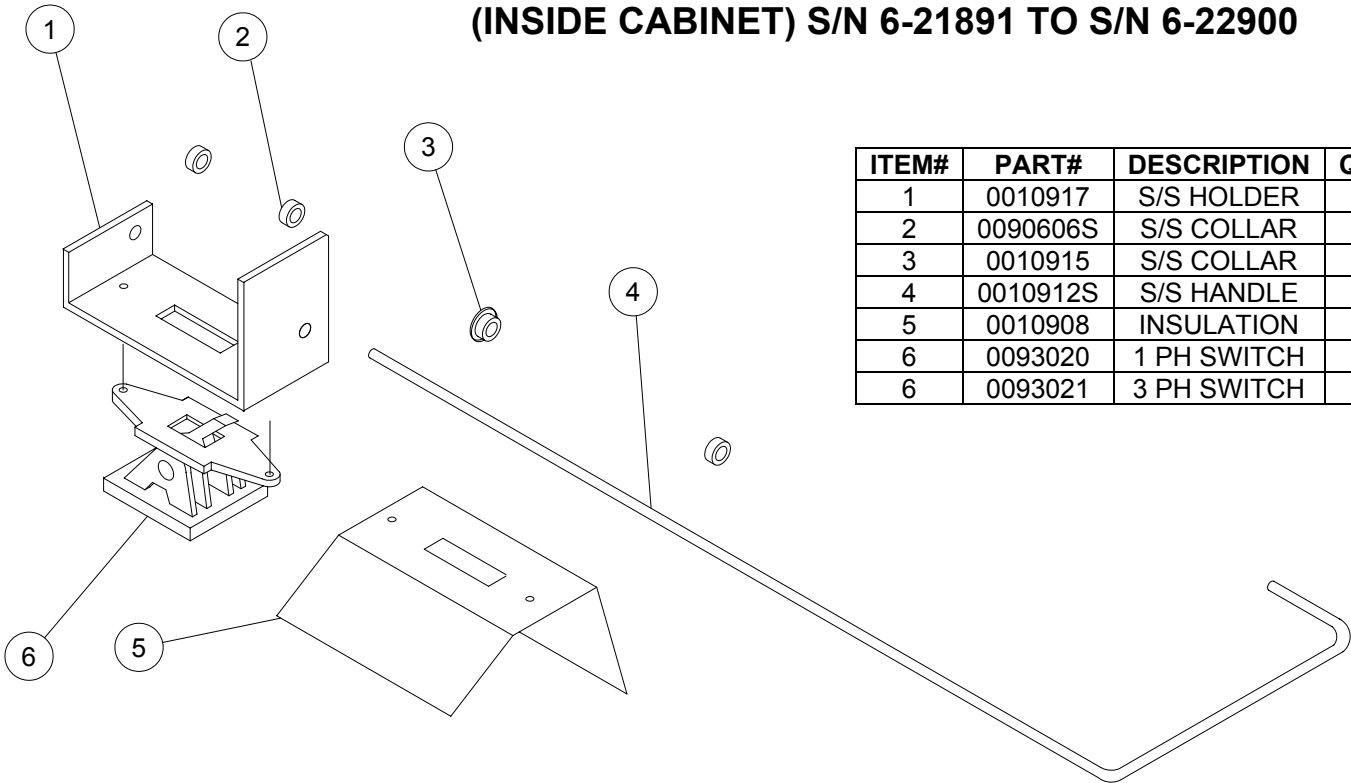
BUTCHER BOY B16 RH BAND SAW

S03 B16 STD MANUAL STARTER REAR MOUNTED (INSIDE CABINET) S/N 6-8097 TO S/N 6-21890



ITEM#	PART#	DESCRIPTION	QTY.
1	0010244S	S/S HANDLE	1
2	0010212S	S/S COUPLING	1
3	0010225S	S/S ROD B16	1
4	0010242S	S/S LEVER	1
5	0093020	1 PH SWITCH	1
5	0093021	3 PH SWITCH	1
6	0010228	S/S LEVER ASSY	1
7	0010338	SWITCH BOX W/ #6	1

S04 B16 STD MANUAL STARTER FRONT MOUNTED (INSIDE CABINET) S/N 6-21891 TO S/N 6-22900

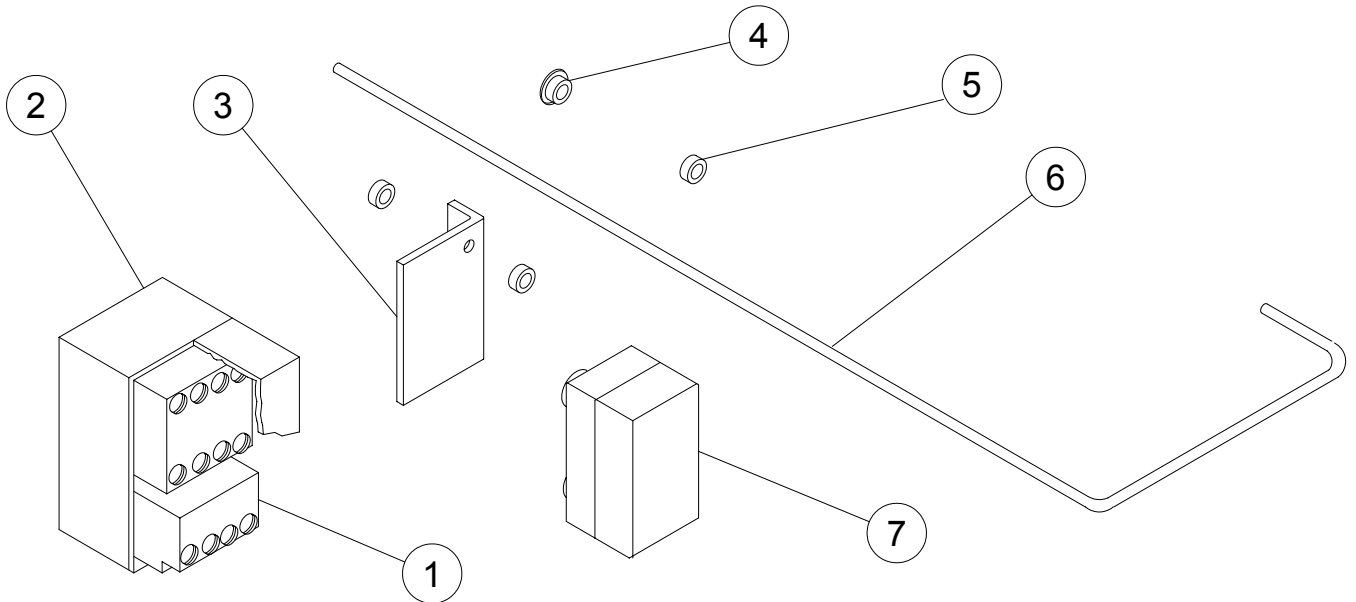


ITEM#	PART#	DESCRIPTION	QTY.
1	0010917	S/S HOLDER	1
2	0090606S	S/S COLLAR	1
3	0010915	S/S COLLAR	1
4	0010912S	S/S HANDLE	1
5	0010908	INSULATION	1
6	0093020	1 PH SWITCH	1
6	0093021	3 PH SWITCH	1

BUTCHER BOY B16 RH BAND SAW PARTS

S05 B16 DEFINITE PURPOSE START (MAG.)
ASSEMBLY (INSIDE CABINET)

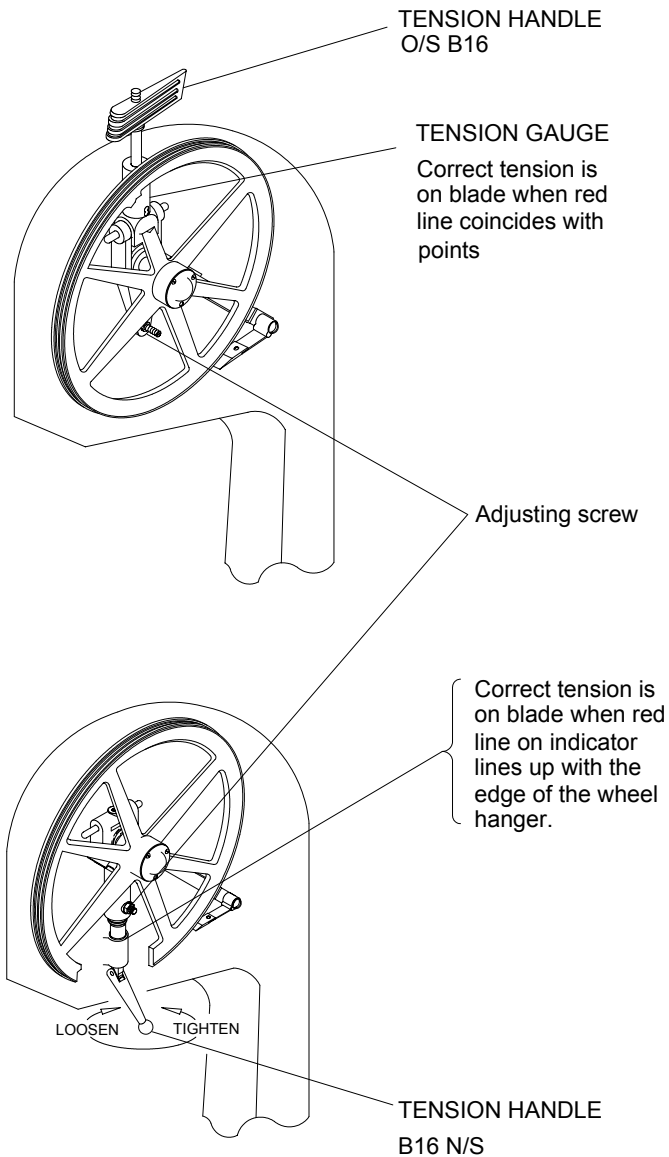
B16 S/N 6-21891 TO S/N 6-22900



ITEM#	PART#	DESCRIPTION	QTY.
1	SEE CHART S05	CONTACTOR & OVERLOAD	1
2	0010913	ENCLOSURE	1
3	0010911S	S/S ROCKER	1
4	0010915	S/S COLLAR	1
5	0090606S	S/S COLLAR	1
6	0010912S	S/S HANDLE	1
7	0093279	P/B SWITCH	1

CHART S05							
	PH	VOLTAGE / AMPS					CONTACTOR & OVERLOAD
		575	460	230	208	115	
2 HP	3	2.7					0093466
	3		3.4				0093463
	3			6.8			0093458 (SP)
	3				7.6		0093458 (SP)
	1			12.0			0093459
	1				13.0		0093459
	1					24.0	0093464
3 HP	3	3.9					0093447
	3		4.5				0093468 (SP)
	3			9.0			0093467 (SP)
	3				10.0		0093467 (SP)
	1			16.0			0093467 (SP)
	1				18.0		
	1					32.0	

BUTCHER BOY B16 RH BAND SAW PARTS

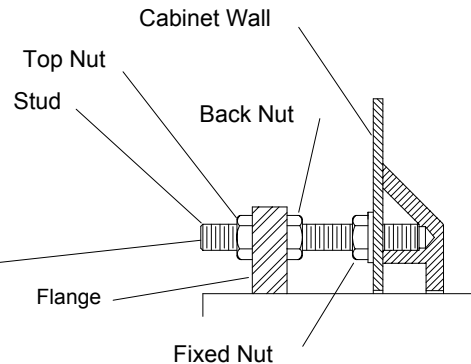


WARNING:
NEVER TIGHTEN BLADE BEYOND RED INDICATOR LINE.
BLADE BREAKAGE, SHORTEN BEARING LIFE AND SHAFT BREAKAGE MAY OCCUR

IF SAW BLADE IS JUMPING THE FOLLOWING ADJUSTMENT SHOULD BE MADE.

ADJUST UPPER WHEEL BY:

1. COMPLETELY RELEASING TENSION ON SAW BLADE BY LOOSENING TENSION HANDLE.
2. LOOSENING LOCK-NUT AND TURNING ADJUSTING SCREW ONE OR TWO TURNS IN A CLOCKWISE DIRECTION AND THEN TIGHTENING LOCK-NUT. THIS ADJUSTMENT WILL BRING BLADE AGAINST SHOULDER OF WHEEL.



ADJUST CAMBER OF LOWER WHEEL BY:

1. COMPLETELY RELEASE TENSION ON SAW BLADE BY LOOSENING THE TENSION HANDLE. (SEE ABOVE)
2. LOOSEN TOP NUT IN FRONT OF FLANGE, THEN TURN NUT IN BACK OF FLANGE CLOCKWISE 1/2 TURN. TIGHTEN TOP NUT. REPEAT THIS PROCEDURE AS MANY TIME AS NECESSARY. WHEN FINISHED, TIGHTEN TOP NUT SECURELY.

***IMPORTANT: NEVER LOOSEN FIXED NUTS FOR ADJUSTMENT.**

BUTCHER BOY B16 RH BAND SAW PARTS

LUBRICATING INSTRUCTIONS

UPPER WHEEL;
2 to 4 strokes with grease gun every 30 days, as needed

TENSION HANDLE:
lubricate daily with edible oil while screwing in and out

UPPER BLADE GUIDE SUPPORT BAR:
lubricate daily with food grade oil while moving up and down

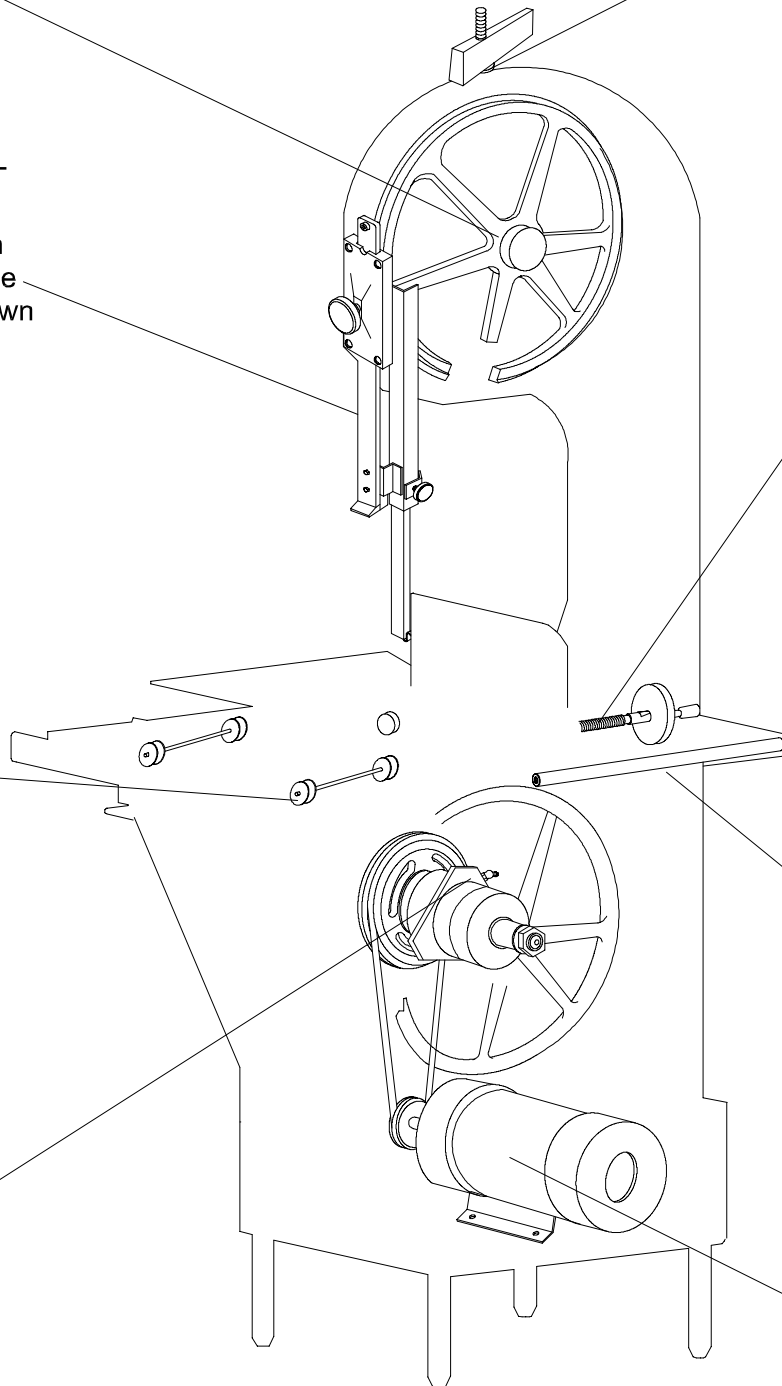
THICKNESS GAUGE THREADS:
lubricate daily with edible oil while screwing in and out

MEAT CARRYING TABLE WHEEL(4)
lubricate daily with edible oil

THICKNESS GAUGE SLIDE ROD:
lubricate daily with edible oil while sliding full length.

LOWER WHEEL BEARING HOUSING:
2 to 4 strokes with grease gun every 30 days as needed

MOTOR:
if equipped with grease fittings grease every six months with bearing grease



AFTER WASHING AND SANITIZING SPRAY ENTIRE SAW (INTERIOR AND EXTERIOR) WITH FOOD GRADE WHITE OIL.